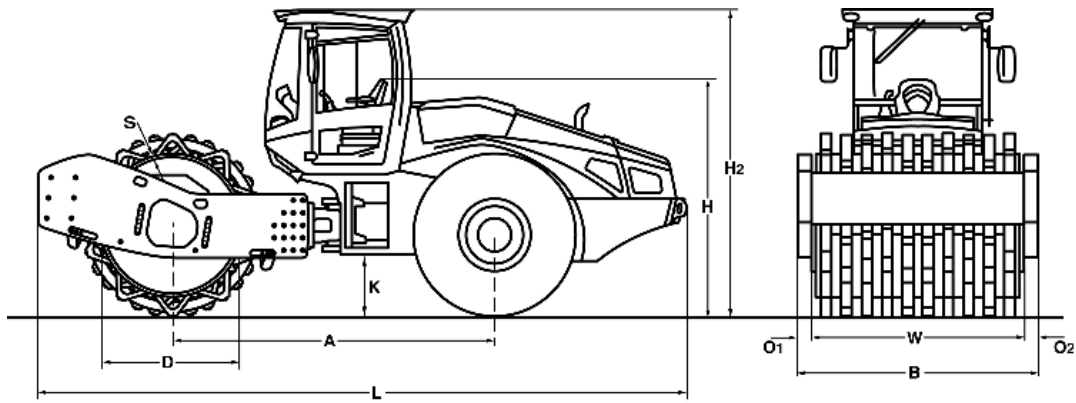


TECHNICAL DATA

SINGLE DRUM ROLLERS

BW 226 RC-5





Dimensions in mm

	A	B	D	H	H2	K	L	O1	O2	S	W
BW 226 RC-5	3320	2500	1480	2450	3180	530	6750	185	185	25	2130

Shipping dimensions in m3

BW 226 RC-5

without ROPS

41,344

with ROPS

53,663

Machine type	Compaction output (m3/h)			
	Rock fill	Gravel, sand	Mixed soil	Silt, clay
BW 226 RC-5	1180-2120		700-1350	385-770

Machine type	Compacted layer thickness (m)			
	Rock fill	Gravel, sand	Mixed soil	Silt, clay
BW 226 RC-5	1,00		0,70	0,50

Technical Data

BOMAG BW 226 RC-5

Weights

Grossweight	kg	27.910
Operating weight CECE w. ROPS-cabin	kg	26.300
Axle load, drum CECE	kg	19.000
Axle load, wheels CECE	kg	7.300

Dimensions

Working width	mm	2.130
Track radius, inner	mm	4.180

Driving Characteristics

Speed	km/h	0- 9,0
Max. gradeability without/with vibr.	%	42/37

Drive

Engine manufacturer		Deutz
Type		TCD 2012 L06
Emission stage		Stage IIIa / TIER3
Cooling		water
Number of cylinders		6
Performance ISO 3046	kW	150,0
Performance SAE J 1995	hp	202,0
Speed	min-1	2.300
Fuel		Diesel
Electric equipment	V	12
Drive system		hydrost.
Drum driven		standard

Drums and Tyres

Tyre size		26.5-25 28PR
-----------------	--	--------------

Brakes

Service brake		hydrost.
Parking brake		hydromec.

Steering

Steering system		oscil.artic.
Steering method		hydrost.
Steering / oscillating angle +/-	grad	35/12

Exciter system

Frequency	Hz	26
Amplitude (1)	mm	0 - 2,30
Centrifugal force	kN	500
Centrifugal force	t	51,0

Vario system

Drive system		hydrost.
--------------------	--	----------

Capacities

Fuel	l	280,0
------------	---	-------

Technical modifications reserved. Machines may be shown with options.

Standard Equipment

- BOMAG ECOMODE
- BOMAG VARIOCONTROL
- TERRAMETER
- Warning, information and operation displays with LCD
- Noise insulation
- Hydrostatic travel and vibration drive
- Hydrostatic articulated steering
- Articulated joint lock
- Rear axle with twin spring accumulator brakes
- No-Spin differential lock
- Warning horn
- Single lever control for travel and vibration
- Seat with arm rest and adj. for position and height
- 2 Scrapers
- Emergency STOP
- Back-up alarm
- Working lights front / rear
- Double pump system for travel drive
- Rock tyre
- Loading mode
- Battery disconnect switch
- BOMAG TELEMATIC POWER

Optional Equipment

- * ROPS/FOPS cabin with seat belts
 - Sliding window
- Air condition
- Rearview camera
- BOMAG ECOSTOP
- Padfoot segment kit
- Radio (Bluetooth)
- Indicator and hazard lights
- BCM 05 Documentation system
- Special painting
- Rotary beacon
- Pre start cabin heating
- Environmentally compliant hydraulic oil
- Comfort package: Adjustable seat and adjustable steering column
- Measuring- and machine data interface for third-party suppliers
- Reversing alarm buzzer with broad band audio
- LED Working lights (Cabin)

* Standard delivery with CE conformity
(valid within European Union)

