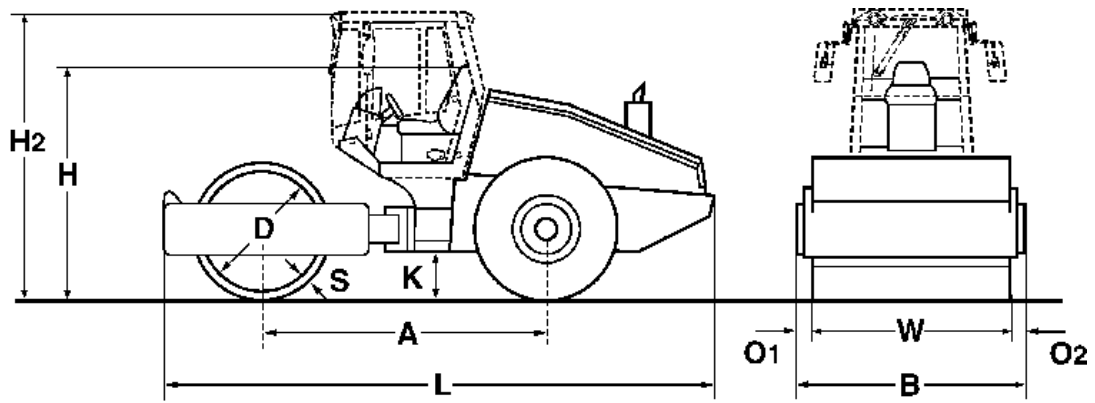


TECHNICAL DATA

SINGLE DRUM ROLLERS

BW 216 D-40, BW 216 PD-40





Dimensions in mm

	A	B	D	H	H2	K	L	O1	O2	S	W
BW 216 D-40	2960	2300	1500	2268	2985	490	5930	85	85	35	2130
BW 216 PD-40	2960	2300	1480	2268	2985	490	5930	85	85	25	2130

Shipping dimensions in m3

BW 216 D-40
BW 216 PD-40

without ROPS

30,933
 30,933

with ROPS

40,712
 40,712

Machine type	Compaction output (m3/h)			
	Rock fill	Gravel, sand	Mixed soil	Silt, clay
BW 216 D-40	650-1200	450-920	340-680	210-420
BW 216 PD-40	650-1200	450-920	340-680	250-500

Machine type	Compacted layer thickness (m)			
	Rock fill	Gravel, sand	Mixed soil	Silt, clay
BW 216 D-40	1,10	0,75	0,55	0,30
BW 216 PD-40	1,10	0,75	0,55	0,35

Technical Data

BOMAG BW 216 D-40

BOMAG BW 216 PD-40

Weights

Grossweight	kg	17.100	16.400
Max. axle load, drum CECE	kg	11.700	11.000
Max. axle load, wheels CECE	kg	5.400	5.400
Operating weight CECE	kg	15.200	15.700
Axle load, drum / wheels CECE	kg	10.200/5.000	10.700/5.000
Static linear load CECE	kg/cm	47,9	
Max. static linear load CECE	kg/cm	54,9	

Dimensions

Track radius, inner	mm	3.494	3.494
---------------------------	----	-------	-------

Driving Characteristics

Speed (1)	km/h	0- 4,0	0- 4,0
Speed (2)	km/h	0- 5,0	0- 5,0
Speed (3)	km/h	0- 7,0	0- 7,0
Speed (4)	km/h	0- 11,0	0- 11,0
Max. gradeability without/with vibr.	%	48/45	50/47

Drive

Engine manufacturer		Deutz	Deutz
Type		BF4M 1013 EC	BF4M 1013 EC
Emission stage		Stage II / TIER2	Stage II / TIER2
Cooling		water	water
Number of cylinders		4	4
Performance ISO 3046	kW	114,0	114,0
Performance SAE J 1995	hp	153,0	153,0
Speed	min-1	2.200	2.200
Fuel		diesel	diesel
Electric equipment	V	12	12
Drive system		hydrost.	hydrost.
Drum driven		standard	standard

Drums and Tyres

Tyre size		23.1-26/12PR	23.1-26/12PR
Number of pad feet			150
Height of pad feet	mm		100
Area of one pad foot	cm2		137

Brakes

Service brake		hydrost.	hydrost.
Parking brake		hydromec.	hydromec.

Steering

Steering system		oscil.artic.	oscil.artic.
Steering method		hydrost.	hydrost.
Steering / oscillating angle +/-	grad	35/12	35/12

Exciter system

Drive system		hydrost.	hydrost.
Frequency	Hz	30/36	30/36
Amplitude	mm	1,80/0,90	1,70/0,86
Centrifugal force	kN	275/202	275/202
Centrifugal force	t	28,1/20,6	28,1/20,6

Capacities

Fuel	l	250,0	250,0
------------	---	-------	-------

Technical modifications reserved. Machines may be shown with options.

Standard Equipment

- Warning, information and operation displays with round gauge
- Hydrostatic travel and vibration drive
- Hydrostatic articulated steering
- Articulated joint lock
- Rear axle with twin spring accumulator brakes
- No-Spin differential lock
- Warning horn
- Single lever control for travel and vibration
- Scrapers
- Emergency STOP
- Back-up warning system
- Operator seat

Optional Equipment

- ROPS/FOPS cabin with seat belts
- Working lights front / rear
- ROPS/FOPS with safety belt
- Comfort driver's seat
- Rotary beacon
- Indicator and hazard lights
- Padfoot segment kit (D)
- Contact scrapers
- ECONOMIZER
- BOMAG Evib-Meter (BEM)
- TERRAMETER BTM prof
- BCM 05 Documentation system
- Special painting
- Air condition
- Sun roof
- Warning, information and operation displays
- Radio (Bluetooth)

