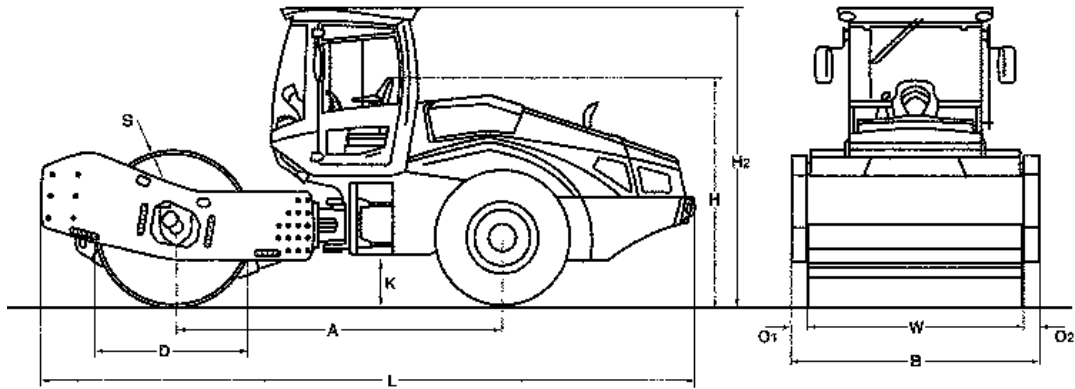


# TECHNICAL DATA

BOMAG VARIOCONTROL (BVC)

BW 213 BVC-5, BW 226 BVC-5





**Dimensions in mm**

	<b>A</b>	<b>B</b>	<b>D</b>	<b>H</b>	<b>H2</b>	<b>K</b>	<b>L</b>	<b>O1</b>	<b>O2</b>	<b>S</b>	<b>W</b>
<b>BW 213 BVC-5</b>	2975	2270	1500	2250	2990	490	5875	70	70	30	2130
<b>BW 226 BVC-5</b>	3355	2500	1600	2339	3078	430	6740	185	185	40	2130

**Shipping dimensions in m3**

**BW 213 BVC-5**  
**BW 226 BVC-5**

**without ROPS**

30,007  
 39,412

**with ROPS**

39,875  
 51,864

<b>Machine type</b>	<b>Compaction output (m3/h)</b>			
	<b>Rock fill</b>	<b>Gravel, sand</b>	<b>Mixed soil</b>	<b>Silt, clay</b>
BW 213 BVC-5	700-1400	480-960	360-720	210-420
BW 226 BVC-5	1180-2120	980-1800	700-1350	385-770

<b>Machine type</b>	<b>Compacted layer thickness (m)</b>			
	<b>Rock fill</b>	<b>Gravel, sand</b>	<b>Mixed soil</b>	<b>Silt, clay</b>
BW 213 BVC-5	1,20	0,80	0,60	0,30
BW 226 BVC-5	2,00	1,60	1,10	0,50

## Technical Data

## BOMAG BW 213 BVC-5

## BOMAG BW 226 BVC-5

### Weights

Grossweight .....	kg	16.170	27.580
Operating weight CECE w. ROPS-cabin .....	kg	13.820	25.880
Axle load, drum CECE .....	kg	8.500	17.930
Axle load, wheels CECE .....	kg	5.320	7.950
Static linear load CECE .....	kg/cm	39,9	84,2

### Dimensions

Working width .....	mm	2.130	2.130
Track radius, inner .....	mm	3.680	4.260

### Driving Characteristics

Speed .....	km/h	0- 12,0	0- 9,0
Max. gradeability without/with vibr. ....	%	58/55	50/47

### Drive

Engine manufacturer .....		Deutz	Deutz
Type .....		TCD 2012 L04 2V	TCD 2012 L06
Emission stage .....		Stage IIIa / TIER3	Stage IIIa / TIER3
Cooling .....		water	water
Number of cylinders .....		4	6
Performance ISO 3046 .....	kW	103,0	150,0
Performance SAE J 1995 .....	hp	140,0	202,0
Speed .....	min-1	2.400	2.200
Fuel .....		Diesel	Diesel
Electric equipment .....	V	12	12
Drive system .....		hydrost.	hydrost.
Drum driven .....		standard	standard

### Drums and Tyres

Tyre size .....		23.1-26 12PR	23.5-25 16PR
-----------------	--	--------------	--------------

### Brakes

Service brake .....		hydrost.	hydrost.
Parking brake .....		hydromec.	hydromec.

### Steering

Steering system .....		oscil.artic.	oscil.artic.
Steering method .....		hydrost.	hydrost.
Steering / oscillating angle +/- .....	grad	35/12	35/12

### Exciter system

Frequency (1) .....	Hz	28	26
Amplitude (1) .....	mm	0 - 2,25	0 - 2,70
Centrifugal force 1 .....	kN	365	500
Centrifugal force 1 .....	t	37,2	51,0

### Capacities

Fuel .....	l	220,0	280,0
------------	---	-------	-------

Technical modifications reserved. Machines may be shown with options.

### Standard Equipment

- BOMAG ECOMODE
- BOMAG VARIOCONTROL
- TERRAMETER
- Oscillation mode
- Warning, information and operation displays with LCD
- Noise insulation
- Hydrostatic travel and vibration drive
- Hydrostatic articulated steering
- Articulated joint lock
- Rear axle with twin spring accumulator brakes
- No-Spin differential lock
- Warning horn
- Single lever control for travel and vibration
- Seat with arm rest and adj. for position and height
- 2 Scrapers
- Emergency STOP
- Back-up alarm
- Working lights front / rear
- Double pump system for travel drive
- Loading mode
- Sliding window
- Battery disconnect switch
- BOMAG TELEMATIC POWER

### Optional Equipment

- ROPS/FOPS cabin with seat belts
  - Sliding window
- Air condition
- Rearview camera
- BOMAG ECOSTOP
- Padfoot segment kit
- Radio (Bluetooth)
- Indicator and hazard lights
- BCM 05 Documentation system
- Special painting
- Rotary beacon
- Pre start cabin heating
- Comfort package: Adjustable seat and adjustable steering column
- Measuring- and machine data interface for third-party suppliers
- Reversing alarm buzzer with broad band audio
- LED Working lights (Cabin)
- Highly wear resistant drum

