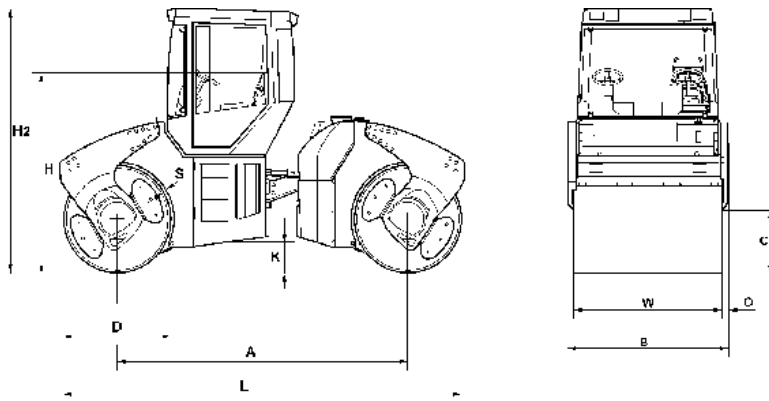


TECHNICAL DATA

TANDEM ROLLERS

BW 202 AD-4, BW 203 AD-4





Dimensions in mm

	A	B	C	D	H	H2	K	L	O	S	W
BW 202 AD-4	3300	2295	715	1220	2320	3000	350	4610	80	19	2135
BW 203 AD-4	3300	2295	715	1236	2320	3000	350	4610	80	27	2135

Shipping dimensions in m3

BW 202 AD-4
BW 203 AD-4

without ROPS

24,545
 24,545

with ROPS

31,740
 31,740

Machine type	Compaction output (m3/h) at recommended soil layer thicknesses		
	Gravel, sand	Mixed soil	Silt, clay
BW 202 AD-4	280-550	200-400	150-260
BW 203 AD-4	320-630	320-460	190-300

Machine type	Compaction output (t/h) at different asphalt layer thicknesses		
	2-4 cm	6-8 cm	10-14 cm
BW 202 AD-4	80-160	130-270	200-340
BW 203 AD-4	90-180	150-310	230-390

Technical Data**BOMAG
BW 202 AD-4****BOMAG
BW 203 AD-4****Weights**

Operating weight CECE w. ROPS-cabin	kg	11.800	13.200
Axle load, front CECE	kg	5.900	6.600
Axle load, rear CECE	kg	5.900	6.600
Static linear load, front CECE	kg/cm	27,6	30,9
Static linear load, rear CECE	kg/cm	27,6	30,9
Grossweight	kg	14.000	14.000

Dimensions

Track radius, inner	mm	4.170	4.170
---------------------------	----	-------	-------

Driving Characteristics

Speed (1)	km/h	0- 6,0	0- 6,0
Speed (2)	km/h	0- 11,0	0- 11,0
Max. gradeability without/with vibr.	%	40/35	40/35

Drive

Engine manufacturer		Deutz	Deutz
Type		TCD 2012 L04 2V	TCD 2012 L04 2V
Emission stage		Stage IIIa / TIER3	Stage IIIa / TIER3
Cooling		Liquid	Liquid
Number of cylinders		4	4
Performance ISO 14396	kW	100,0	100,0
Speed	min-1	2.300	2.300
Electric equipment	V	12	12

Brakes

Service brake		hydrost.	hydrost.
Parking brake		mech.	multi disc

Steering

Steering system		oscil.artic.	oscil.artic.
Lateral displacement right/left	mm	170	170
Steering / oscillating angle +/-	grad	30/6	30/6

Exciter system

Vibrating drum		front + rear	front + rear
Autom. vibr. shut off		standard	standard
Frequency	Hz	40/50	40/50
Amplitude	mm	0,81/0,35	0,69/0,29
Centrifugal force	kN	126/84	126/84
Centrifugal force	t	12,8/8,6	12,8/8,6

Capacities

Fuel	l	200,0	200,0
Water	l	1.000,0	1.000,0

Technical modifications reserved. Machines may be shown with options.

Standard Equipment

- 2 amplitudes / 2 frequencies
- Crab steer right/left 170 mm
- Autom. vibration operation
- Individual vibration control
- Operator's platform with:
 - two steering wheels
 - Rotable and laterally sliding seat
- 2 travel levers with integrated switches for vibration
 - + Edge pressing roller
 - + Crab steer right/left
- Pressure sprinkling system with 2 pumps
- Back-up alarm
- Battery disconnect switch

Optional Equipment

- * ROPS cabin with seat belts
 - + 4 integrated lights
- Cabin without ROPS
- Indicator and hazard lights
- ROPS/FOPS with safety belt
- Sun roof
- Rotary beacon
- Speedometer
- Asphalt temperature display
- Edge cutter
- Folding scrapers
- Additional weight 600kg (BW202AD-4)
- Air condition
- ECONOMIZER
- Radio
- Additional outside mirrors
- Fire extinguisher
- Pointer
- Frequency 60Hz (BW203AD-4)
- BOMAP compaction navigation with GPS

