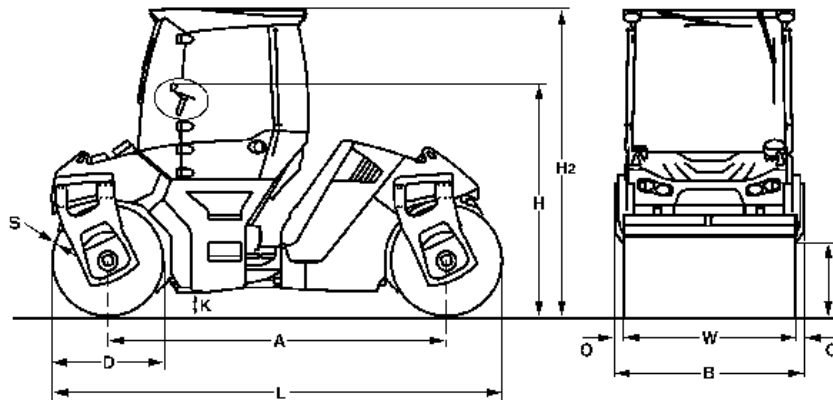


TECHNICAL DATA

TANDEM ROLLER

BW 161 AD-50 AM, BW 191 AD-50 AM, BW 206 AD-50 AM





Dimensions in mm

| | A | B | C | D | H | H2 | K | L | O | S1 | S2 | W |
|------------------------|------|------|-----|------|------|------|-----|------|----|----|----|------|
| BW 161 AD-50 AM | 3620 | 1836 | 670 | 1220 | 2315 | 3050 | 250 | 4840 | 78 | 19 | 17 | 1680 |
| BW 191 AD-50 AM | 3900 | 2178 | 760 | 1400 | 2364 | 3098 | 250 | 5300 | 89 | 22 | 19 | 2000 |
| BW 206 AD-50 AM | 3900 | 2313 | 760 | 1400 | 2364 | 3098 | 250 | 5300 | 89 | 22 | 19 | 2135 |

Shipping dimensions in m3

BW 161 AD-50 AM
BW 191 AD-50 AM
BW 206 AD-50 AM

without ROPS

20,572
 27,289
 28,980

with ROPS

27,103
 35,761
 37,978

| Machine type | Compaction output (m3/h) at recommended soil layer thicknesses | | |
|-----------------|--|------------|------------|
| | Gravel, sand | Mixed soil | Silt, clay |
| BW 161 AD-50 AM | 180-340 | 150-280 | 110-180 |
| BW 191 AD-50 AM | 280-320 | 200-380 | 160-240 |
| BW 206 AD-50 AM | 300-570 | 220-420 | 170-270 |

| Machine type | Compaction output (t/h) at different asphalt layer thicknesses | | |
|-----------------|--|---------|----------|
| | 2-4 cm | 6-8 cm | 10-14 cm |
| BW 161 AD-50 AM | 60-130 | 100-230 | 160-280 |
| BW 191 AD-50 AM | 120-220 | 200-250 | 320-400 |
| BW 206 AD-50 AM | 130-230 | 210-270 | 340-430 |

Technical Data

BOMAG BW 161 AD-50 AM

BOMAG BW 191 AD-50 AM

BOMAG BW 206 AD-50 AM

Weights

| | | | | |
|--------------------------------------|-------|--------|--------|--------|
| Operating weight CECE w. ROPS-cabin | kg | 10.200 | 13.900 | 14.500 |
| Grossweight | kg | 11.500 | 15.000 | 16.000 |
| Axle load, front CECE | kg | 5.300 | 7.050 | 7.350 |
| Axle load, rear CECE | kg | 4.900 | 6.850 | 7.150 |
| Static linear load, front CECE | kg/cm | 31,6 | 35,3 | 34,4 |
| Static linear load, rear CECE | kg/cm | 29,2 | 34,3 | 33,5 |

Dimensions

| | | | | |
|-------------------------------------|----|-------|-------|-------|
| Track radius, inner | mm | 4.900 | 5.190 | 5.117 |
| Length (without towing hitch) | mm | 4.840 | 5.300 | 5.300 |

Driving Characteristics

| | | | | |
|---|------|---------|---------|---------|
| Max. travel speed | km/h | 0- 12,0 | 0- 12,0 | 0- 12,0 |
| Max. gradeability without/with vibr. | % | 40/30 | 35/30 | 35/30 |

Drive

| | | | | |
|------------------------------|-------|------------------|------------------|------------------|
| Engine manufacturer | | Deutz | Deutz | Deutz |
| Type | | BF4M 2012 C | BF4M 2012 C | BF4M 2012 C |
| Emission stage | | Stage II / TIER2 | Stage II / TIER2 | Stage II / TIER2 |
| Cooling | | Liquid | Liquid | Liquid |
| Number of cylinders | | 4 | 4 | 4 |
| Performance ISO 14396 | kW | 103,0 | 103,0 | 103,0 |
| Performance SAE J 1995 | hp | 138,0 | 138,0 | 138,0 |
| Speed | min-1 | 2.500 | 2.500 | 2.500 |

Brakes

| | | | | |
|---------------------|--|------------|------------|------------|
| Service brake | | hydrost. | hydrost. | hydrost. |
| Parking brake | | multi disc | multi disc | multi disc |

Steering

| | | | | |
|-----------------------|--|--------------|--------------|--------------|
| Steering system | | oscil.artic. | oscil.artic. | oscil.artic. |
|-----------------------|--|--------------|--------------|--------------|

Exciter system

| | | | | |
|-----------------------------|----|-----------|-----------|-----------|
| Vibrating drum | | rear | rear | rear |
| Autom. vibr. shut off | | standard | standard | standard |
| Frequency | Hz | 46/45 | 46/45 | 46/45 |
| Amplitude | mm | 0,87/0,44 | 0,94/0,44 | 0,92/0,42 |
| Centrifugal force | kN | 97/51 | 129/95 | 129/95 |
| Centrifugal force | t | 9,9/5,2 | 13,1/9,7 | 13,1/9,7 |

Vario system

| | | | | |
|--------------------------|----|-----------------|-----------------|-----------------|
| ASPHALT MANAGER | | front | front | front |
| Frequency | Hz | 46 | 46 | 46 |
| Amplitude directed | | autom./variable | autom./variable | autom./variable |
| Amplitude | mm | 0- 0,92 | 0- 0,87 | 0- 0,85 |
| Centifugal force | kN | 152 | 200 | 200 |
| Centifugal force | t | 15,5 | 20,4 | 20,4 |

Capacities

| | | | | |
|-------------|---|-------|-------|-------|
| Fuel | l | 145,0 | 165,0 | 165,0 |
| Water | l | 750,0 | 970,0 | 970,0 |

Technical modifications reserved. Machines may be shown with options.

Standard Equipment

- ASPHALT MANAGER 2
- Highly wear resistant AM drum
- Oscillation mode
- 2 amplitudes / 2 frequencies rear
- Autom. vibration operation
- Individual vibration control
- Emergency stop button
- V-belt protection
- Pressure sprinkling system with 2 pumps
- Back-up alarm
- Battery disconnect switch
- Compartments for documents and tools
- BOMAG OPERATION PANEL (BOP)
- EVIB-Control panel
- Asphalt temperature display

Optional Equipment

- ROPS cabin with seat belts
 - + heating, Ventilation
 - + 4 Working head lights
- ROPS cabin with air conditioning
- ROPS/FOPS
- Rotary beacon
- Crab-walk to both sides (170mm)
- 2 LED-lights for cabin roof (flatbeam)
- Edge cutter
- Radio/Radio preparation
- Printer for ASPHALT MANAGER 2
- Lighting for drum edge front and rear
- BOMAG TELEMATIC
- Outside mirrors
- BOMAP compaction navigation with GPS

