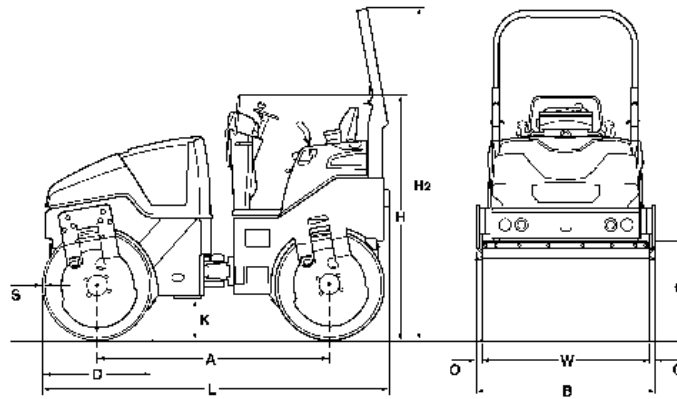


# TECHNICAL DATA

TANDEM ROLLERS

BW 135 AD-5, BW 138 AD-5





**Dimensions in mm**

|                    | <b>A</b> | <b>B</b> | <b>C</b> | <b>D</b> | <b>H</b> | <b>H2</b> | <b>K</b> | <b>L</b> | <b>O</b> | <b>S</b> | <b>W</b> |
|--------------------|----------|----------|----------|----------|----------|-----------|----------|----------|----------|----------|----------|
| <b>BW 135 AD-5</b> | 1900     | 1390     | 700      | 900      | 1895     | 2703      | 340      | 2840     | 44       | 16       | 1300     |
| <b>BW 138 AD-5</b> | 1900     | 1468     | 700      | 900      | 1895     | 2703      | 340      | 2840     | 44       | 18       | 1380     |

**Shipping dimensions in m3**

**BW 135 AD-5**  
**BW 138 AD-5**

**without ROPS**

7,481  
 7,900

**with ROPS**

10,670  
 11,269

| <b>Machine type</b> | <b>Compaction output (m3/h) at recommended soil layer thicknesses</b> |                   |                   |
|---------------------|---|-------------------|-------------------|
|                     | <b>Gravel, sand</b>   | <b>Mixed soil</b> | <b>Silt, clay</b> |
| BW 135 AD-5         | 90-180  | 70-140            | 40-80             |
| BW 138 AD-5         | 100-200   | 80-160            | 40-80             |

| <b>Machine type</b> | <b>Compaction output (t/h) at different asphalt layer thicknesses</b> |               |                 |
|---------------------|---|---------------|-----------------|
|                     | <b>2-4 cm</b>   | <b>6-8 cm</b> | <b>10-14 cm</b> |
| BW 135 AD-5         | 30-55   | 50-85         | 75-130          |
| BW 138 AD-5         | 30-55   | 50-90         | 75-135          |

**Technical Data****BOMAG  
BW 135 AD-5****BOMAG  
BW 138 AD-5****Weights**

|                                       |       |       |       |
|---------------------------------------|-------|-------|-------|
| Operating weight w. ROPS CECE .....   | kg    | 4.000 | 4.400 |
| Average static linear load CECE ..... | kg/cm | 15,4  | 15,9  |
| Grossweight .....                     | kg    | 4.200 | 4.600 |

**Dimensions**

|                           |    |       |       |
|---------------------------|----|-------|-------|
| Working width .....       | mm | 1.300 | 1.380 |
| Track radius, inner ..... | mm | 2.665 | 2.616 |

**Driving Characteristics**

|   |      |         |         |
|---|------|---------|---------|
| Speed .....                               | km/h | 0- 10,0 | 0- 10,0 |
| Working speed with vibration .....        | km/h | 0- 10,0 | 0- 10,0 |
| Max. gradeability without/with vibr. .... | %    | 40/30   | 40/30   |

**Drive**

|                              |       |                     |                     |
|------------------------------|-------|---------------------|---------------------|
| Engine manufacturer .....    |       | Kubota              | Kubota              |
| Type .....                   |       | V 2203              | V 2203              |
| Emission stage .....         |       | Stage IIIa / TIER4i | Stage IIIa / TIER4i |
| Cooling .....                |       | water               | water               |
| Number of cylinders .....    |       | 4                   | 4                   |
| Performance ISO 14396 .....  | kW    | 33,3                | 33,3                |
| Performance SAE J 1995 ..... | hp    | 44,7                | 44,7                |
| Speed .....                  | min-1 |                     | 2.600               |
| Speed adjustment 1 .....     | min-1 | 2.140               | 2.770               |
| Speed adjustment 2 .....     | min-1 | 2.770               | 2.140               |
| Electric equipment .....     | V     | 12                  | 12                  |
| Driven drum .....            |       | front + rear        | front + rear        |

**Brakes**

|                     |  |           |           |
|---------------------|--|-----------|-----------|
| Service brake ..... |  | hydrost.  | hydrost.  |
| Parking brake ..... |  | hydromec. | hydromec. |

**Steering**

|  |      |              |              |
|--|------|--------------|--------------|
| Steering system .....                  |      | oscil.artic. | oscil.artic. |
| Steering method .....                  |      | hydrost.     | hydrost.     |
| Steering / oscillating angle +/- ..... | grad | 32/10        | 32/10        |
| Crab walk .....                        |      | 0- 50        | 0- 50        |

**Exciter system**

|                         |    |              |              |
|-------------------------|----|--------------|--------------|
| Vibrating drum .....    |    | front + rear | front + rear |
| Drive system .....      |    | hydrost.     | hydrost.     |
| Frequency .....         | Hz | 50/56        | 50/56        |
| Amplitude .....         | mm | 0,50         | 0,50         |
| Centrifugal force ..... | kN | 39/48        | 45/57        |

**Sprinkler System**

|                          |  |          |          |
|--------------------------|--|----------|----------|
| Type of sprinkling ..... |  | pressure | pressure |
|--------------------------|--|----------|----------|

**Capacities**

|             |   |       |       |
|-------------|---|-------|-------|
| Fuel .....  | l | 55,0  | 55,0  |
| Water ..... | l | 310,0 | 310,0 |

Technical modifications reserved. Machines may be shown with options.

### Standard Equipment

- Hydrostatic travel and vibration drive
- 2 scrapers per drum, spring loaded and tiltable
- Pressure sprinkler system with interval switch
- Multi function travel lever
- Multi-function display incl. operating hour meter
- Water level
- Electronic fuel gauge
- Emergency STOP
- Individual control, vibration
- Intelligent Vibration Control (IVC)
- Integrated stowage compartment
- Sliding seat incl. double travel lever
- Seat contact switch
- 12V socket
- Working lights front and rear
- Vandalism protection
- Lockable engine hood made of composite material
- Lashing eyes, galvanized
- Single point lifting device
- Back-up alarm

### Optional Equipment

- \*Foldable ROPS incl. seat belt
- Sun roof, rigid
- Sun roof, foldable with ROPS
- Weather protection for sun roof
- Weather protection cabin
- Seat heating
- ECONOMIZER with asphalt temperature display
- Temperature display
- BOMAG TELEMATIC
- Indicator and hazard lights
- Rotary beacon
- Optional lighting on ROPS
- Lighting for drum edge
- Battery disconnect switch
- Environmentally compliant hydraulic oil
- Theft protection
- Edge cutter-right/left
- Gravel scrapper
- Hydraulically adjustable crabwalk (50mm)
- Pointer
- Special painting
- Backup warning buzzer with broadband technology
- Flow divider
- 2. Amplitude:0,2mm

\* Standard delivery with CE conformity  
(valid within European Union)

