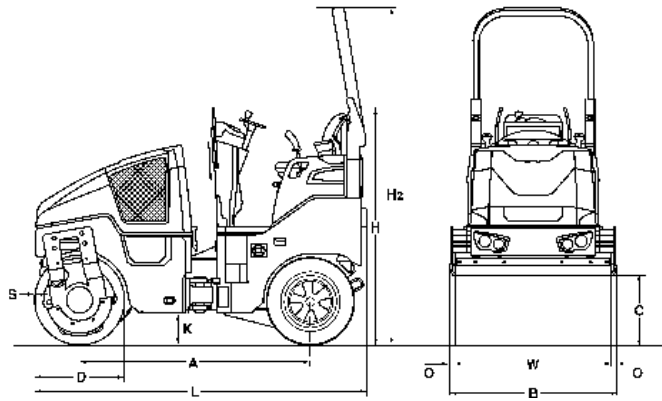


# TECHNICAL DATA

COMBINATION ROLLERS

BW 100 AC-5, BW 120 AC-5





**Dimensions in mm**

	<b>A</b>	<b>B</b>	<b>C</b>	<b>D</b>	<b>H</b>	<b>H2</b>	<b>K</b>	<b>L</b>	<b>O</b>	<b>S</b>	<b>W</b>
<b>BW 100 AC-5</b>	1752	1072	523	700	1808	2568	254	2529	36	13	1000
<b>BW 120 AC-5</b>	1752	1272	523	700	1808	2568	254	2529	36	13	1200

**Shipping dimensions in m3**

**BW 100 AC-5**  
**BW 120 AC-5**

**without ROPS**

4,902  
 5,816

**with ROPS**

6,962  
 8,261

<b>Machine type</b>	<b>Compaction output (t/h) at different asphalt layer thicknesses</b>		
	<b>2-4 cm</b>	<b>6-8 cm</b>	<b>10-14 cm</b>
BW 100 AC-5	15-35	35-50	45-90
BW 120 AC-5	20-40	40-60	55-105

**Technical Data****BOMAG  
BW 100 AC-5****BOMAG  
BW 120 AC-5****Weights**

Operating weight w. ROPS CECE .....	kg	2.350	2.450
Axle load, drum CECE .....	kg	1.150	1.200
Axle load, wheels CECE .....	kg	1.200	1.250
Wheel load CECE .....	kg	300	313
Static linear load, front CECE .....	kg/cm	11,5	10,0
Grossweight .....	kg	3.150	3.250

**Dimensions**

Working width .....	mm	1.000	1.200
Track radius, inner .....	mm	2.550	2.450

**Driving Characteristics**

Speed .....	km/h	0- 10,0	0- 10,0
Working speed with vibration .....	km/h	0- 10,0	0- 10,0
Max. gradeability without/with vibr. ....	%	40/30	40/30

**Drive**

Engine manufacturer .....		Kubota	Kubota
Type .....		D 1703	D 1703
Emission stage .....		Stage IIIa / TIER4i	Stage IIIa / TIER4i
Cooling .....		water	water
Number of cylinders .....		3	3
Performance ISO 14396 .....	kW	24,3	24,3
Performance SAE J 1995 .....	hp	32,6	32,6
Speed .....	min-1	2.600	2.600
Speed adjustment 1 .....	min-1	2.500	2.500
Speed adjustment 2 .....	min-1	2.600	2.600
Electric equipment .....	V	12	12
Driven drum .....		standard	standard
Driven wheels .....		4	4

**Drums and Tyres**

Tyre size .....		205/60-15	9.5/65-15
-----------------	--	-----------	-----------

**Brakes**

Service brake .....		hydrost.	hydrost.
Parking brake .....		hydromec.	hydromec.

**Steering**

Steering system .....		oscil.artic.	oscil.artic.
Steering method .....		hydrost.	hydrost.
Steering / oscillating angle +/- .....	grad	32/10	32/10
Crab walk .....		50	0- 50

**Exciter system**

Vibrating drum .....		front	front
Drive system .....		hydrost.	hydrost.
Frequency .....	Hz	63/67	63/67
Amplitude .....	mm	0,50	0,50
Centrifugal force .....	kN	30/34	36/41

**Sprinkler System**

Type of sprinkling .....		pressure	pressure
--------------------------	--	----------	----------

**Capacities**

Fuel .....	l	35,0	35,0
Water .....	l	160,0	160,0
Emulsion .....	l	45,0	45,0

Technical modifications reserved. Machines may be shown with options.

### Standard Equipment

- Four smooth rear rubber wheels
- Hydrostatic travel and vibration drive
- 2 scrapers per drum, spring loaded and tiltable
- Pressure sprinkler system with interval switch
- Multi function travel lever
- Multi-function display incl. operating hour meter
- Water level
- Emergency STOP
- Intelligent Vibration Control (IVC)
- Integrated stowage compartment
- Adjustable operator's seat
- Seat contact switch
- Vandalism protection
- 12V socket
- Working lights front and rear
- Back-up alarm
- Lockable engine hood made of composite material
- Lashing eyes, galvanized
- Single point lifting device

### Optional Equipment

- \* Foldable ROPS incl. seat belt
- Sun roof, rigid
- Sun roof, foldable with ROPS
- Weather protection for sun roof
- Seat heating
- Sliding seat incl. double travel lever
- ECONOMIZER with asphalt temperature display
- Temperature display
- BOMAG TELEMATIC
- Indicator and hazard lights
- Rotary beacon
- Optional lighting on ROPS
- Lighting for drum edge
- Battery disconnect switch
- Environmentally compliant hydraulic oil
- Theft protection
- Edge cutter
- Gravel scatterer
- Hydraulically adjustable crabwalk (50mm)
- Pointer
- Special painting
- Backup warning buzzer with broadband technology

\* Standard delivery with CE conformity  
(valid within European Union)

