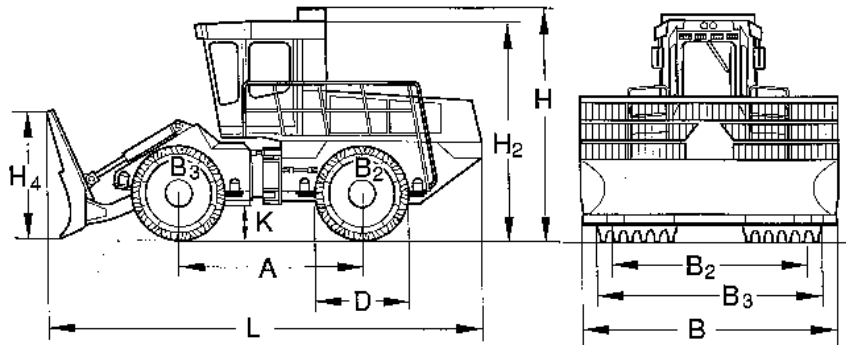


# TECHNICAL DATA

REFUSE COMPACTOR

BC 672 RB-2, BC 772 RB-2





**Dimensions in mm**

	<b>A</b>	<b>B</b>	<b>B2</b>	<b>B3</b>	<b>D</b>	<b>H</b>	<b>H2</b>	<b>H4</b>	<b>K</b>	<b>L</b>
<b>BC 672 RB-2</b>	3500	3800	3550	3775	1660	4120	3820	1950	600	8120
<b>BC 772 RB-2</b>	3500	3800	3550	3775	1660	4120	3820	1950	600	8120

**Shipping dimensions in m3**

<b>BC 672 RB-2</b>	117,870
<b>BC 772 RB-2</b>	117,870

**Technical Data****BOMAG  
BC 672 RB-2****BOMAG  
BC 772 RB-2****Weights**

Grossweight .....	kg	32.700	37.100
Operating weight CECE .....	kg	32.100	36.500
Axle load, front CECE .....	kg	15.300	17.400
Axle load, rear CECE .....	kg	16.800	19.100

**Driving Characteristics**

Speed (1), forward .....	km/h	0- 4,0	0- 4,0
Speed (1), reverse .....	km/h	0- 4,0	0- 4,0
Speed (2), forward .....	km/h	0- 7,5	0- 7,5
Speed (2), reverse .....	km/h	0- 7,5	0- 7,5
Speed (3), forward .....	km/h	0- 12,0	0- 12,0
Speed (3), reverse .....	km/h	0- 12,0	0- 12,0
Max. gradeability (dep. on soil con.) .....	%	100	100
Max. pushing force .....	kN	346	394

**Drive**

Engine manufacturer .....		Deutz	Deutz
Type .....		TCD 2015 V06	TCD 2015 V06
Emission stage .....		Stage IIIa / TIER3	Stage IIIa / TIER3
Cooling .....		water	water
Number of cylinders .....		6	6
Performance ISO 9249 .....	kW	330,0	330,0
Performance SAE J 1349 .....	hp	442,0	442,0
Speed .....	min-1	2.100	2.100
Travel system .....		hydrost.	hydrost.
Operating voltage .....	V	24	24

**Compaction Wheels**

Width, front / rear .....	mm	1.350/1.125	1.350/1.125
Outer diameter (front) .....	mm	1.660	1.660
Outer diameter (rear) .....	mm	1.660	1.660
Number of teeth/cutters, front .....		60	60
Number of teeth/cutters, rear .....		50	50
Compaction coverage per side .....	mm	1.350	1.350

**Brakes**

Service brake .....		hydrost.	hydrost.
Parking brake .....		hydromec.	hydromec.

**Steering**

Steering system .....		oscil.artic.	oscil.artic.
Steering method .....		hydraulic	hydraulic
Steering / oscillating angle +/- .....	grad	40/15	40/15
Track radius, inner .....	mm	3.090	3.090

**Dozer Blade**

Height adjustment over ground level .....	mm	1.200	1.200
Height adjustment below ground level .....	mm	120	120
Dozer blade capacity acc. to SAE J 1265 .....	m3	11,6	11,6

**Capacities**

Fuel .....	l	500,0	500,0
Engine oil .....	l	39,0	39,0
Hydraulic oil .....	l	350,0	350,0

Technical modifications reserved. Machines may be shown with options.

### Standard Equipment

- Electronic engine management
- Electronic monitoring module with engine shut-down
- Engine air intake at a height of 4 m
- Dry air filter
- Cold starting system
- 3-stage fuel filter system
- Fuel bleeding pump
- Hydraulic all-wheel drive (Quad pump drive)
- Wear control in hydraulic circuit
- Hydraulically operated articulated steering system
- Oscillating articulated joint between front and rear frames
- Automatic central lubrication system
- Adjustable scrapers in front of and behind each wheel
- All drive components well protected by the closed frame pan
- Wire deflector and drive protection on inner side of wheels
- ROPS/FOPS
- Noise insulated cab
- Vibration insulated cab suspension
- Cab ventilation with overpressure
- Activated charcoal filter for odour restriction
- Tinted safety glass panes
- Sun shades
- Sliding windows on both sides
- Front / rear windscreen washer system
- Interval switch for windscreen wiper
- Outside and inside rear mirrors
- Heated outside mirror
- Air suspended seat
- Seat heating
- Head rest
- Control unit for dozer blade and travel direction control integrated in driver's seat
- Adjustable joystick steering
- Display instruments
- CD-Radio
- 24 V electrics
- Generator 80 A
- Battery disconnecting switch
- LED Working lights, 6 front / 4 rear
- Rotary beacon
- Audible backup alarm
- Warning horn
- Access steps right / left
- Towing eyes front / rear
- Reversing monitor
- Reversible fan



PRE 570 32 010

141119 Sa04

### Optional Equipment

- Polygonal compaction wheels, teeth with replaceable caps
- Blade (3800mm)
- Premium compaction wheels with highly wear resistant teeth
- Blade 4356 mm (open design)
- Semi-U-Blade 3750mm
- Semi-U-Blade 4480mm
- PS3 Bucket 3800mm
- Pre start cabin heating
- Fire extinguisher
- Special painting
- Environmentally compliant hydraulic oil
- Protective ventilation system (Pre-installation)
- Lockable hood lock (anti-theft protection)
- Tool kit
- Tachograph
- Automatic heating - air conditioning
- TELEMATIC POWER

**BOMAG**  
Hellerwald  
D-56154 Boppard  
P.O. Box 5162  
Tel. (0)6742 - 1000  
Fax (0)6742 - 3090

